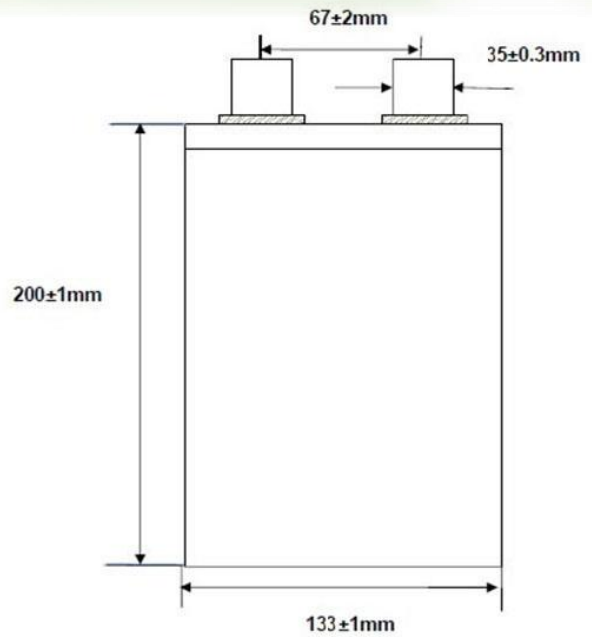


Premium - Batterie

WS-NCM30Ah



Capacity		30Ah @ 0.3C discharging
Nominal voltage		3.7V
Internal resistance		≤1.0mΩ
Energy density		230Wh/kg
Charging (CC-CV)	Charging current	0.5C continuous / 1C peak
	Charging upper limit Voltage	4.2V
Discharging	Discharging current	2C continuous / 5C peak 10s
	Discharging cut-off voltage	3.0V
Charging time	Standard charging	2h
	Quick-acting charging	1h
Operation temperature	Charging	0°C - 45°C
	Discharging	-20°C - 55°C
Weight		0.51kg
Size		9.2x133x200mm
Shell material		Stainless Steel 304
Bolt design		Stripes
Certificates		UN38.3, MSDS

