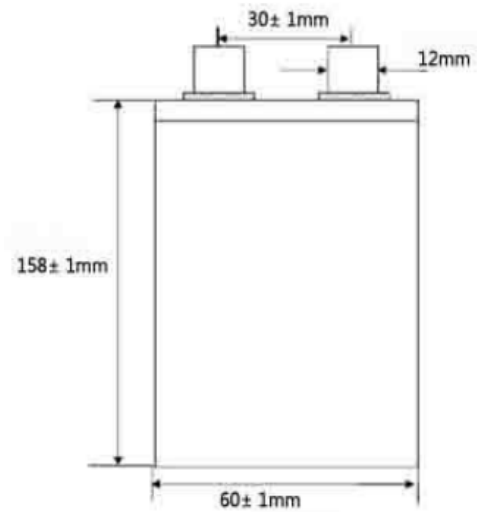


Premium - Batterie

WS-NCM10Ah



Capacity		10Ah @ 0.5C discharging
Nominal voltage		3.7V
Internal resistance		≤2.0mΩ
Energy density		223Wh/kg
Charging (CC-CV)	Charging current	0.5C continuous / 1C peak
	Charging upper limit Voltage	4.2V
Discharging	Discharging current	2C continuous / 3C peak
	Discharging cut-off voltage	3.0V
Charging time	Standard charging	2h
	Quick-acting charging	1h
Operation temperature	Charging	0°C - 45°C
	Discharging	-20°C - 55°C
Weight		0.188kg
Size		9.5x60x158mm
Shell material		-
Bolt design		Stripes
Certificates		UN38.3, MSDS