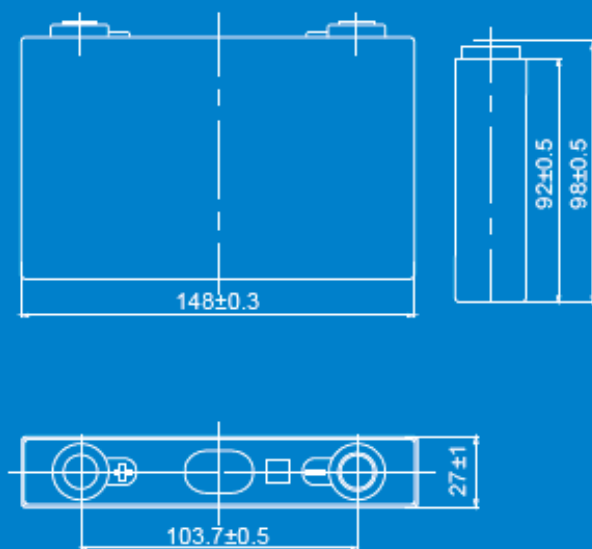


BATTERIES

CAM20



Dimensions:mm



Features

- 1C ≥ 3000 cycles, 3C ≥ 2000 cycles
- Anti-explosion safety valve applied
- Aluminum shell for better cooling
- Ceramic membrane technology applied to enhance safety
- High energy density ≥ 100WH/KG
- High charge/discharge rates
- Application: EV, ESS, Telecom etc.

Specification

Nominal Capacity @ 0.3C	20 Ah
Nominal Voltage	3.2 V
Internal Impedance @ 1 kHz AC	≤ 1 mΩ
Weight	650 ±10g
Life Cycle @ 1C, 80% DOD	≥3,000 cycles

Operating Conditions

Maximum Charging Current	60 A
Maximum Constant Discharging Current	200 A
Charging Cut-off Voltage	3.65 V
Discharging Cut-off Voltage	2.5 V
SOC Usage Window	10% ~ 90%
Charging Temperature	0°C ~ 45°C
Discharging Temperature	-20°C ~ 55°C
Storage Temperature within 1 month	-20°C ~ 45°C
Storage Temperature within 1 year	-20°C ~ 25°C

Discharge Curve:

